

WELCOME

ultrad.com.br





Strategic Plan



50% 50%

- Building Facility
- Staff & Management Team
- Quality & Process
- Sales & Marketing (Aftermarket. New Filters)
- Additional New Business
- Corporate Service Support

NGCOR

Plant Operations: Phase I

Start up production: Phase II

- Rotomoulding Knowledge Expertise
- Production Equipment
- Production Tooling
- Training NGCOR Team
- Product Development for JV & Testing to Support New Development Business

- New Products
- Aftermarket
- New business

NGCOR Phase III

November 2014

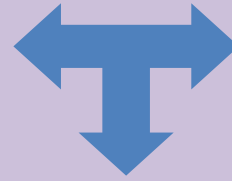
- JV Growth with Sales.
- Add 2nd rotomoulding to increase capacity
- Add injection/blow moulding



Ing. PierMario Cornaglia



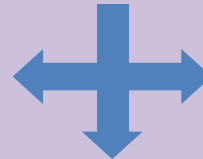
Germano Carrara



Germano Carrara
Tommaso Conaglia
PierAntonio Cornaglia
Edoardo Cornaglia

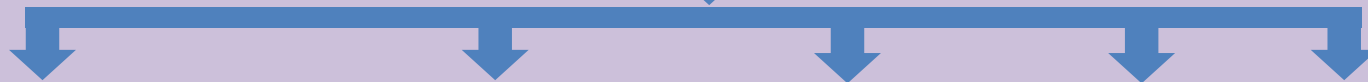


OPERATIONS MANAGER
Geraldo Lima



QUALITY PLANT
Mariana Carvalho

CONTROLLER
Luciana Mendes



PRODUCTION
Rafael Mick / Aluisio Gaetano

QUALITY PROCESS
Mariana / Dendys

PROJECT MANAGER
?

LOGISTICS
Cintia Quadros

UTILITIES
Leandro Moro

SHIFT LEADER

OPERATORS

TESTS

FINISHING

ASSEMBLY

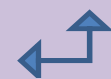
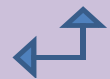
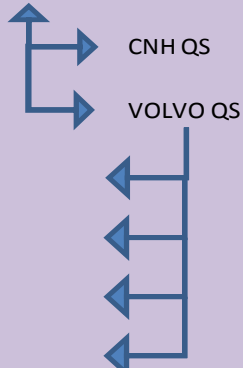
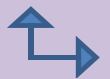
CONTROL

DELIVERY

CNH QS

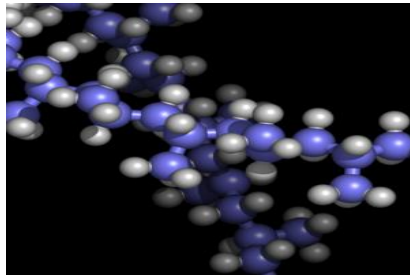
VOLVO QS

PROCESS

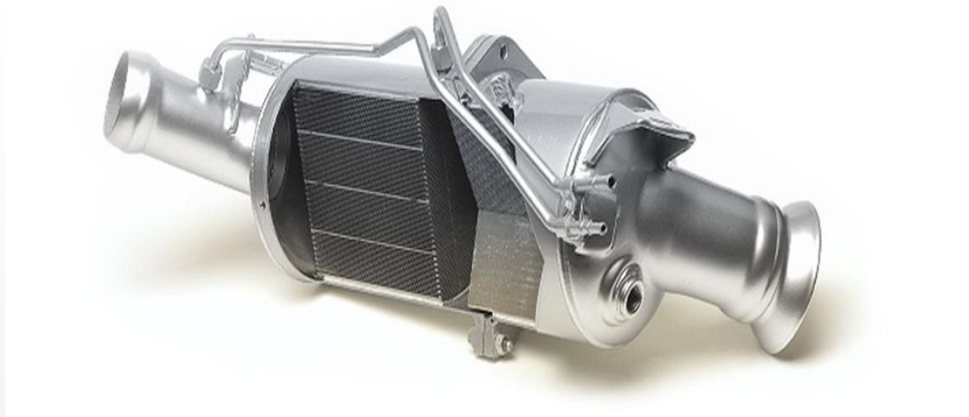


PRODUCTION PLANNING

PHASE I – SOP PLASTIC DIVISION



PHASE II – SOP EXHAUST SYSTEM DIVISION



G.F JULY 2016

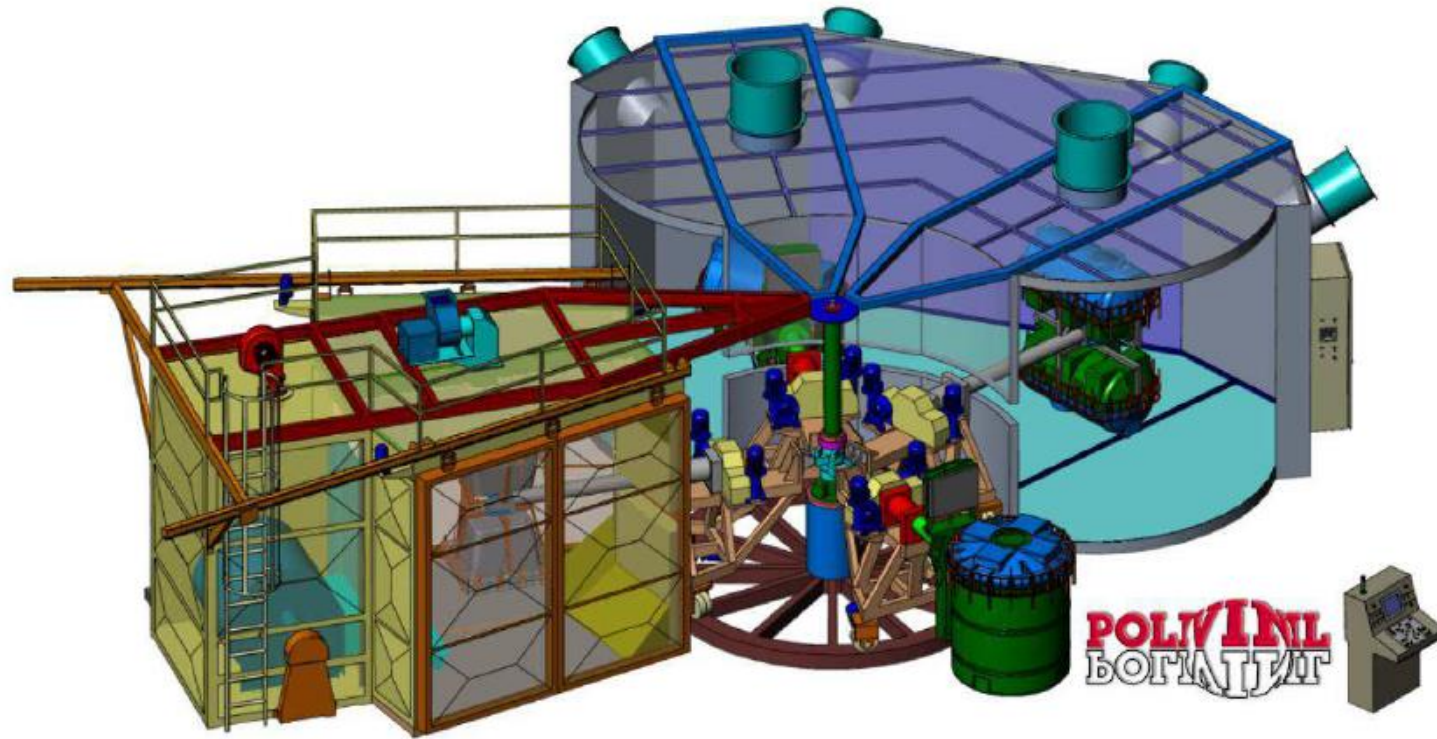


S.O.P 2017 July

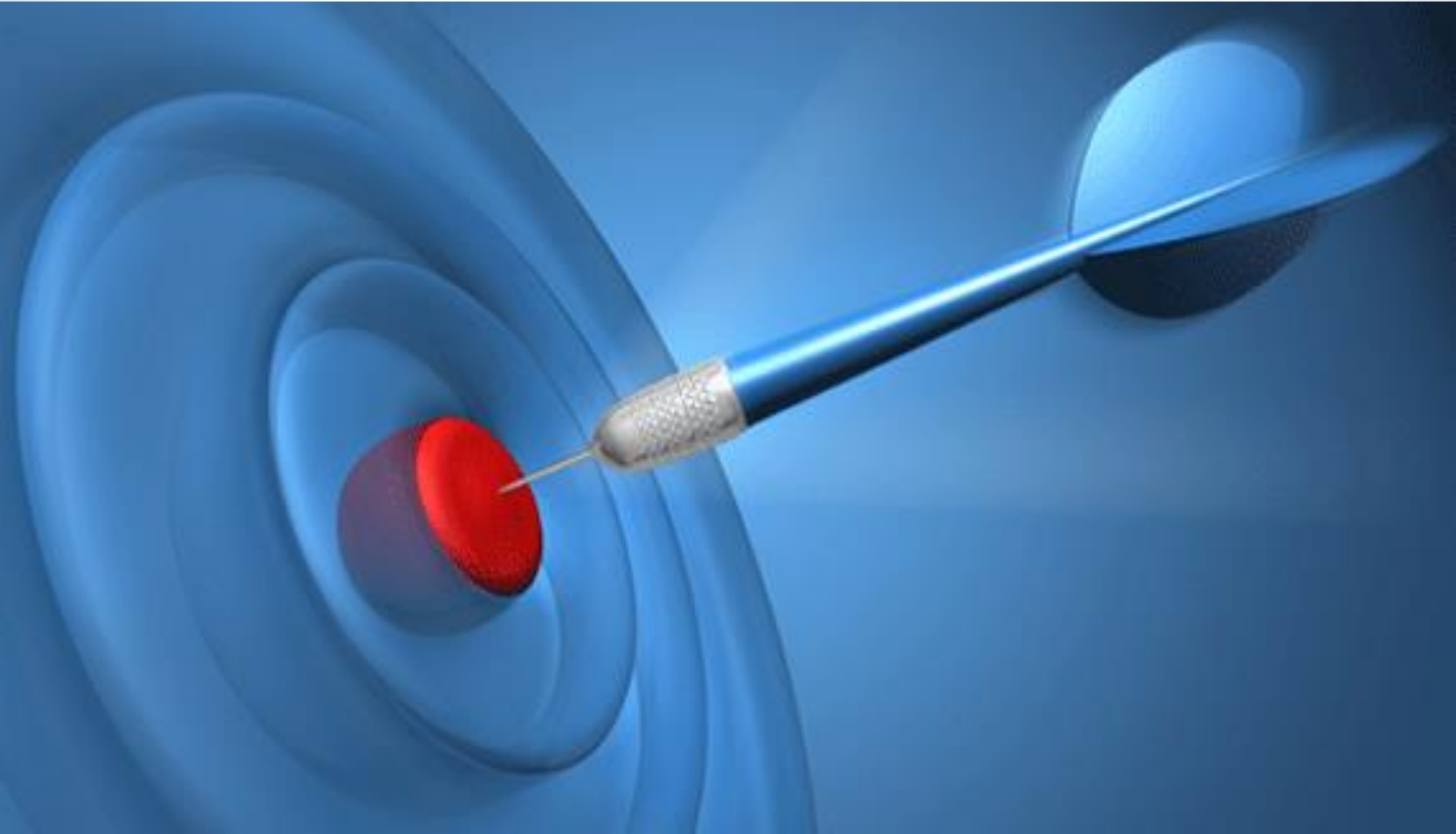


PHASE I – 2016 2018

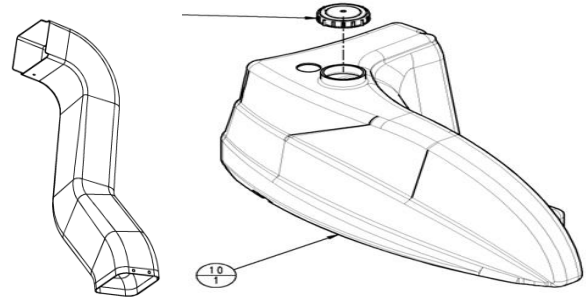
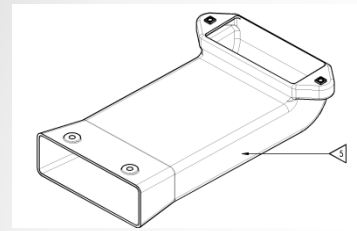
ROTOMOULDING



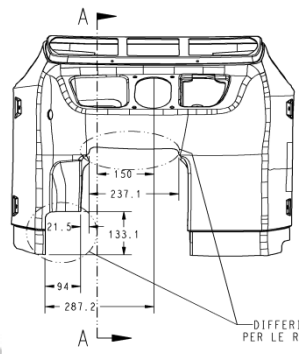
Commercial Targets



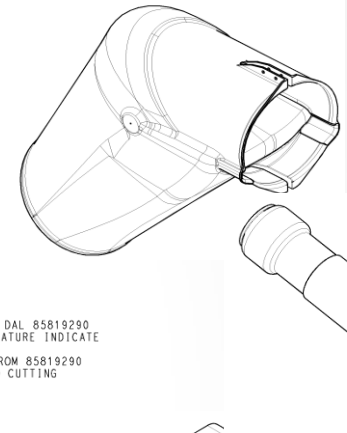
AGRICULTURE & FORESTRY



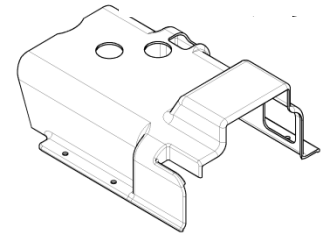
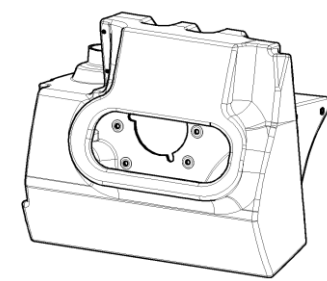
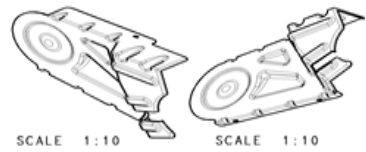
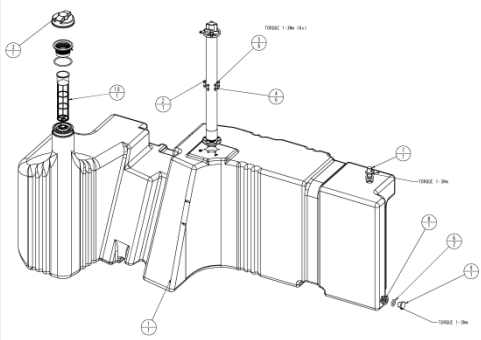
REF ISO VIEW
SCALE 1:5



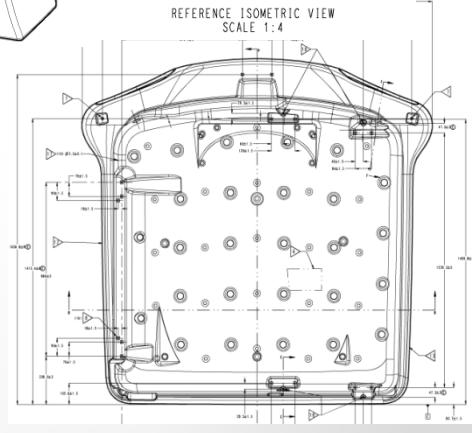
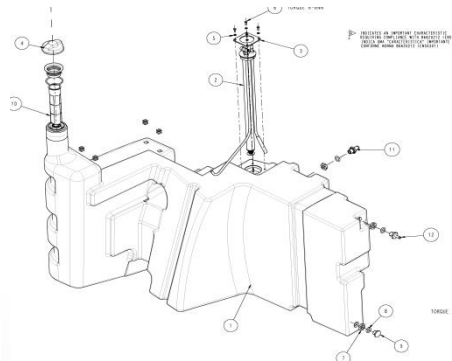
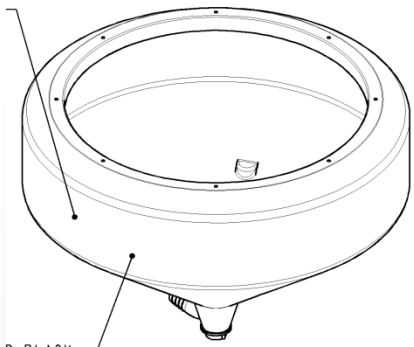
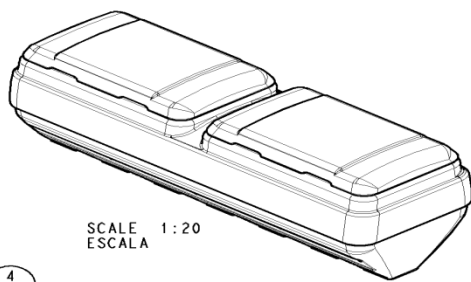
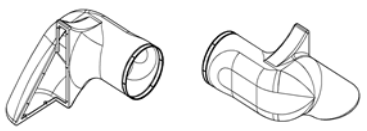
DIFFERISCE DAL 85819290
PER LE RIFILATURE INDICATE
DIFFERS FROM 85819290
DUE TO CUTTING



ISOMETRIC VIEW
SCALE 1:6



REFERENCE ISOMETRIC VIEW
SCALE 1:4



PROCESS DEVELOPMENT



RM – REDUCTION COST



PRODUCT CONTROL



CONSTRUCTION EQUIPMENTS



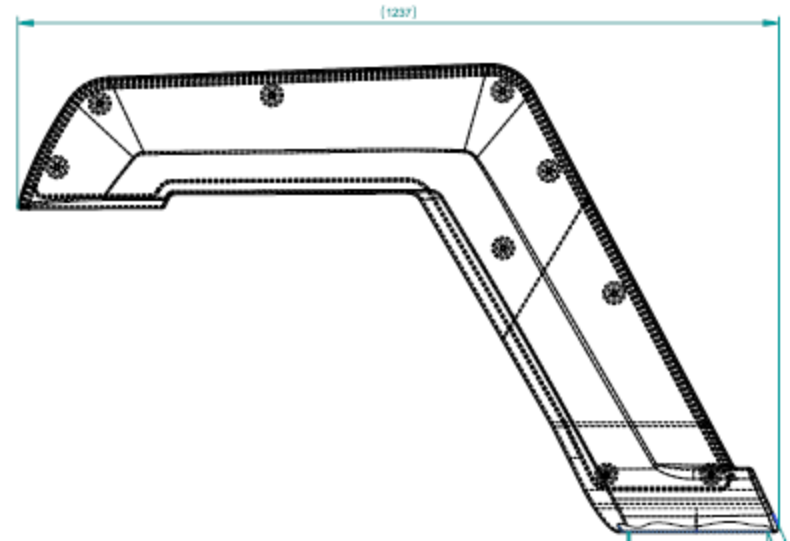
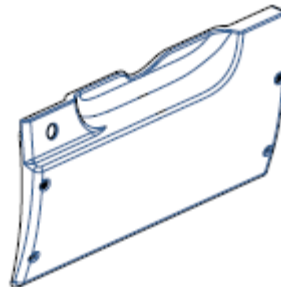
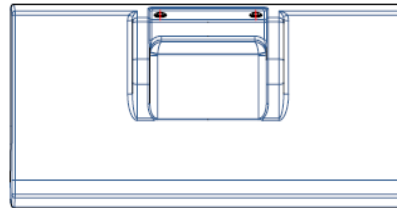
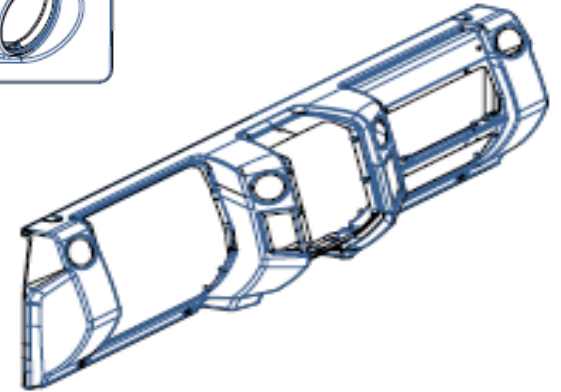
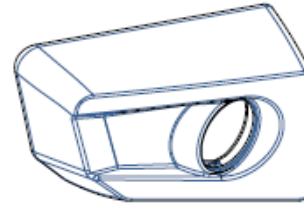
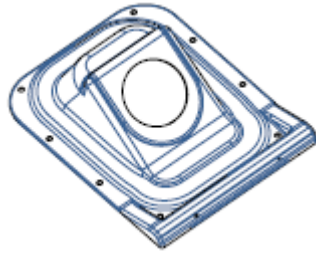
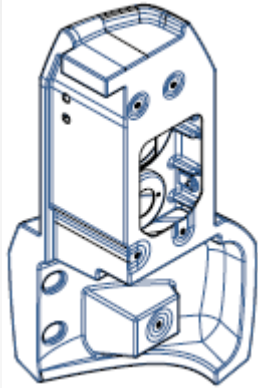
POKA YOKE - RASTREABILITY



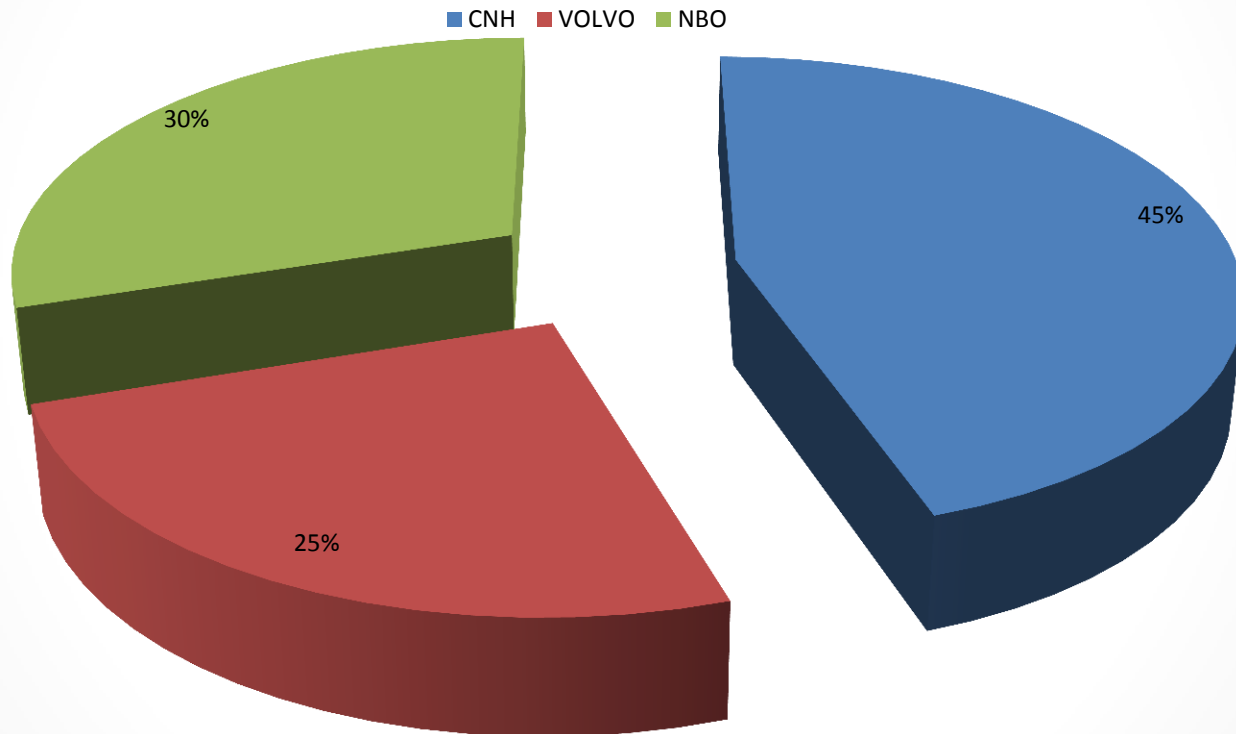
HEAVY DUTTY TRUCKS



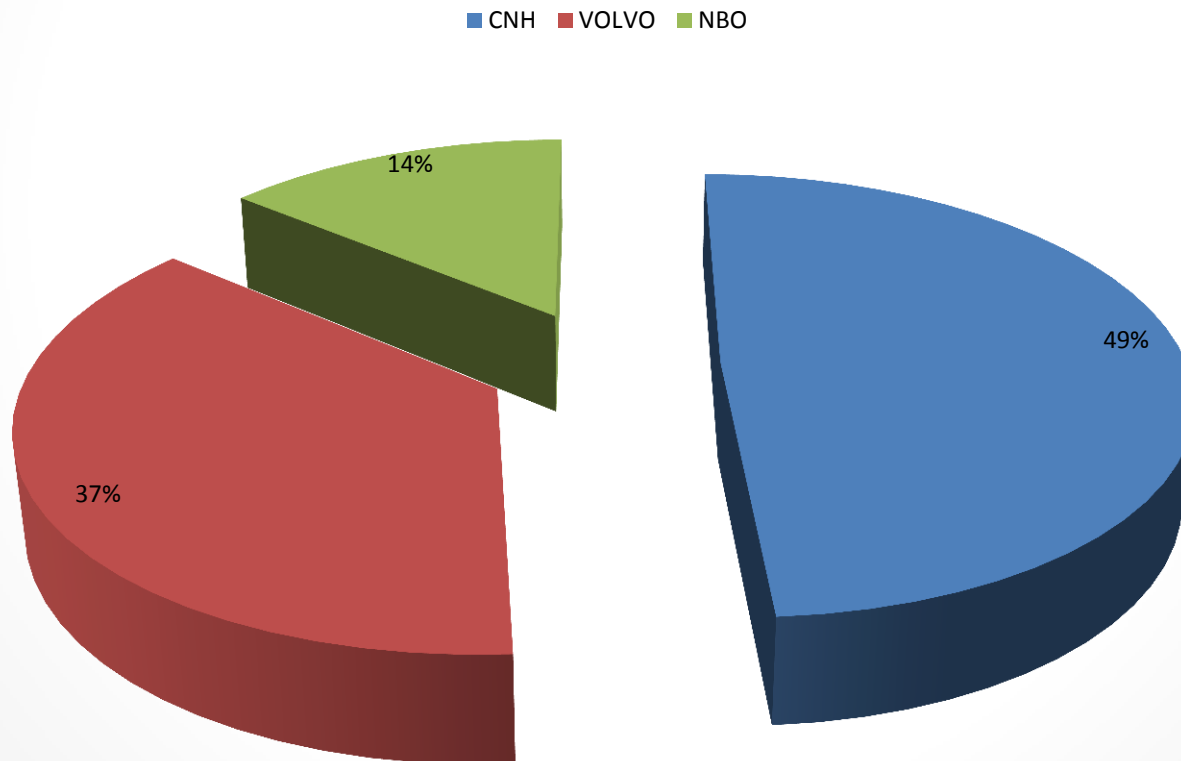
Off-road Vehicles



EXPECTED PRD MIX PHASE I



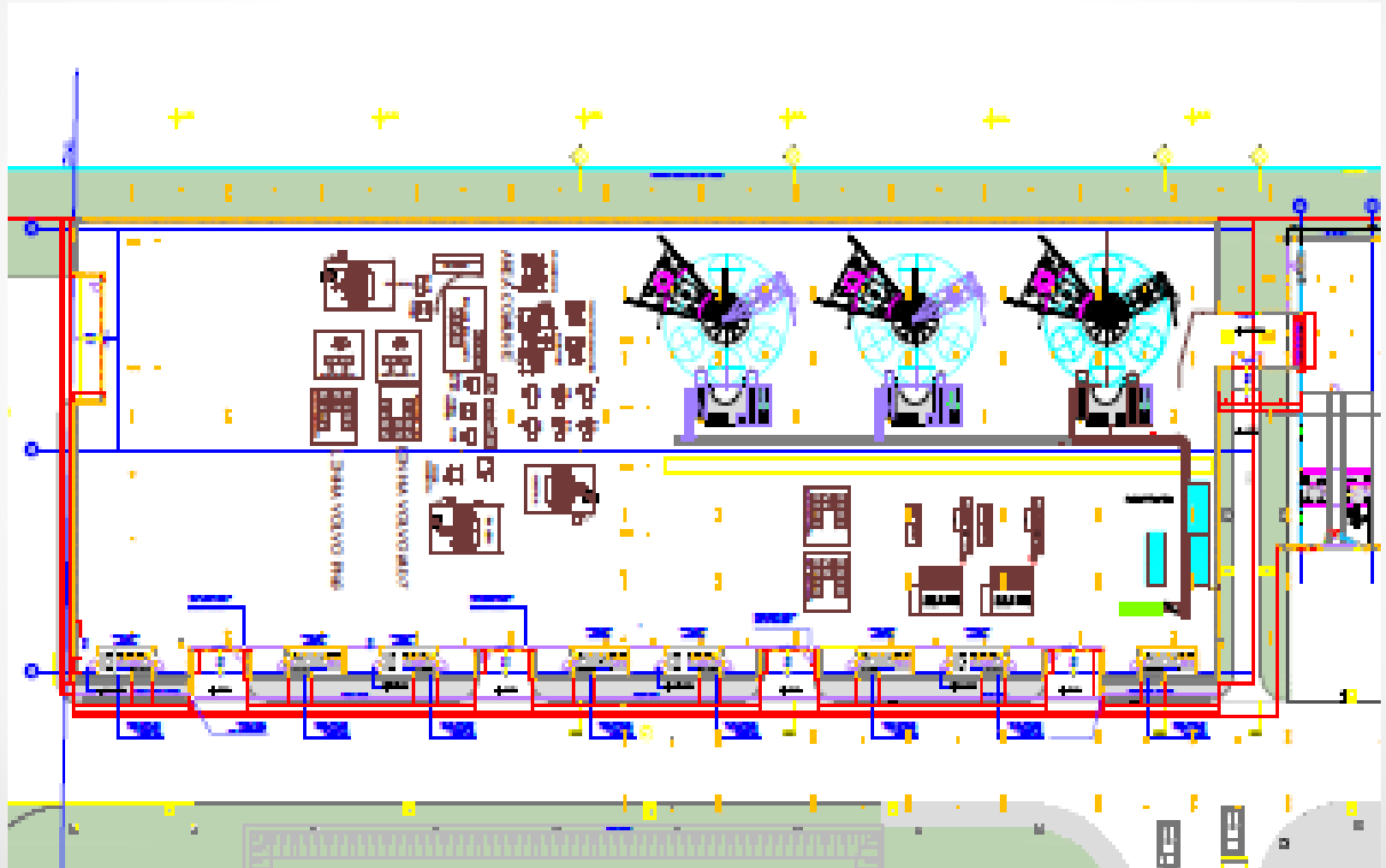
EXPECTED INC. PHASE I



ROTOMOULDING TURNOVER FORECAST PHASE I + PHASE II - SÃO JOSÉ DOS PINHAIS

							TON	MDR	OEE	RFO
2017										
			JUL		DEC PRM1	R\$ 4.9 MM	350	5	71	5
				OCT	DEC PRM 2	R\$ 1.7 MM	275	3	71	6
						R\$ 6.6 MM	625	8		
2018										
JAN					DEC PRM1	R\$ 10.7 MM	800	4	87	4
JAN					DEC PRM 2	R\$ 10.7 MM	800	4	87	4
			APR		DEC PRM 3	R\$ 3.8 MM	336	3	79	5
						R\$ 25.2 MM	1936	11		
2019										
JAN					DEC PRM1	R\$ 12.3 MM	900	3	95	2
JAN					DEC PRM 2	R\$ 12.3 MM	900	3	95	2
JAN					DEC PRM 3	R\$ 12.3 MM	900	3	95	3
						R\$ 36.9 MM	2700	9		

PHASE II – 2018 2020



CNH Cluster 1 CCM - Engine NEF 6	CNH Cluster 1 APH<130KW - Engine NEF 4, 6	CNH Cluster 1 APL - Engine F5C	CNH Cluster 2 - Engine NEF 4, 6	CNH Cluster 4 - Engine NEF 6, CURSOR 9	CLAAS A40 - A43 - A32 - Engine NEF 4, 6	CLAAS A44 - Engine Cursor 9	VOLVO VOLVO PENTA - Engine D5, D7, D8 (99-236 kW)
							
CCM LWB 47627859(601-70) ex47438962 (601-52) 7400	APH NEF 4 CIL 47828013 47583004 (663-06) ex 47361446(663-00) 11000	APL F5C SCR 47737254 47457832 (661-00) 25000	CHEX 143 47445778 (639-07) 700 140	COMBINE TC 5070/5080 47393744 (619-25) 1100 471 EU	CLAAS A40 - SCR 5801641261 (598-114) 2500	CLAAS A44 - SCR 5801823682 500	VOLVO PNG 10000 
CCM SWB 47627866(630-40) ex47438965 (630-23) 4500	APH NEF 6 CIL 47828016 47582732 (642-00) ex 47361477(642-00) 4000	APL F5C DOC 47735960 47579842 25000	CHEX 145 47445777 (640-10) 800 630	COMBINE AF 5140 47447513 (618-25) 1300 415 USA 589 EU	CLAAS A40 - DOC 5801865217 ex5801641260 (598-205) 2500	CLAAS A44 - MIXING PIPE 5801823677 500	VOLVO MD7-MD5 25000 
CCM SWB LP 47627871(630-41) ex47438968 (630-30) 370	APH NEF 4 CIL EUROPA INLET 47480308 DOWN 47582737 15000	FPT F5C PERKINS F5C PERKINS SCR 5801863575 ex 5801770691 (668-04) 5801863581 ex 5801770686 (668-05) 5801863587 ex 5801770693 (668-06) 5801863588 ex 5801770695 (668-07) 34000	COMBINE TC 5060 84603376 (632-25) 800 470	COMBINE CX 6080 84569810 (620-25) 1300 450 EU	CLAAS A40 - MIXING PIPE 5801825220 ex5801618585 (598-155) 2500	CLAAS A44 - DOWNPIPE 5801823679 500	VOLVO PENTA MD8 21995029 (633-205) 22001632 (633-303) 22035304 (633-435) 4500
	APH NEF 4 CIL MEXICO 47828222 47583578 (664-05) ex 47459300(664-00) 2300	F5C PERKINS DOC 47579842 (660-49) 5801863550 ex 5801863550 (638-98) 5801863556 ex 5801863556 (638-98) 5801863558 ex 5801863558 (638-98) 5801863548 ex 5801863548 (638-98) 34000	GRAPE MEDIUM 47445437 (659-00) 700 100	IVECO DAILY 	CLAAS A32 - SCR 5801880321 ex5801641263 (594-155) 4800	 LIEBHERR	VOLVO PENTA MD5 22289113 (686-50) 22289111 (686-00) 22289115 (686-100) 4500
	APH NEF 4 CIL MEXICO INLET 47453852 DOWN 47599331 2300	F5C PERKINS TUBAZIONI 5801792206 (676-10) 5801809068 (674-20) 5801809069 (674-30) 34000	GRAPE HARVESTERS 47445435 (636-10) 800 175	DAILY 2014 - DPF 5801649615 10000	CLAAS A32 - DOC 5804641262 (594-150) 4800	IN DEVELOPMENT: LIEBHERR NEF - DOC+DPF 5801841873 600	CATERPILLAR Engine 75-220 kW 
	APH NEF 4 CIL MEXICO INLET 47453852 DOWN 47599331 2300	WHEEL LOADER PL 10 47458901 (666-00) 700 296	WHEEL LOADER PL 12 47436900 (684-00) 800 900	DAILY 2014 - SILENZIATORE 5801649727 40000	CLAAS A32 - MIXING PIPE 5801703408 (594-255) 4800	IN DEVELOPMENT: LIEBHERR NEF - DOC+DPF 5801841893 4800	CAT SWL FOREST 431-4400 -00 (671-00) 4800
	APH NEF 4 CIL MEXICO INLET 47453852 DOWN 47599331 2300	DOZER 850M 47596655(XXX-XX) 700 ex 47602531 100	GRADER 47574524(634-20) 800 ex47443839 100	DAILY 2014 - FLEX 5801662418 40000	 CLAAS	IN DEVELOPMENT: LIEBHERR NEF - DOC+DPF 5801841893 4800	CATERPILLAR SWL LRC 371-1287 -02- (592-00) 4800



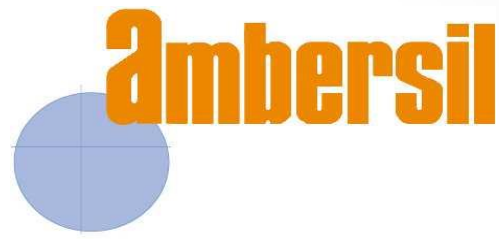
QUALITY

QUALITY

QUALITY

QUALITY

MAIN SUPPLIERS



QUALITY MANAGEMENT

9	0,94	QUALITY		
	9.1	ISO 9001		
	9.1.1	CONSULTANCY	03/05/16	16/09/16
	9.1.2	AUDIT	01/06/17	30/08/17
	9.1.3	CERTIFICATION	30/09/17	15/12/17
	9.2	TS 16949		
	9.2.1	CONSULTANCY	15/03/18	30/05/18
	9.2.2	AUDIT	01/07/18	16/09/18
	9.2.3	CERTIFICATION	16/09/18	30/11/18



OBRIGADO PELA ATENÇÃO

We will build lasting connections with our customers by providing components and services that meet the most challenging technical, quality and logistics requirements.

Germano Carrara - CEO



+55 41 3382 5067

ngcor.com.br

Rua Alcebíades da Cruz, 195
Campo Largo da Roseira, São José dos Pinhais
CEP 83.091-000